

JC530 VESA Mount

User Manual



SAFETY INSTRUCTIONS



WARNING: Before beginning, turn off the media player, disconnect the AC adapter from the electrical outlet and the media player, and remove any other external cables from the media player.



Note: The VESA Mount is compatible with the following players:
Giada VM23 / F210U / F200 / F202 / DN76 / DN75 / DN74 / DN73 / DN72.

VESA MOUNTING MATERIALS



Main Bracket



Anti-theft Lock



M4*L10MM Mechanical Screws



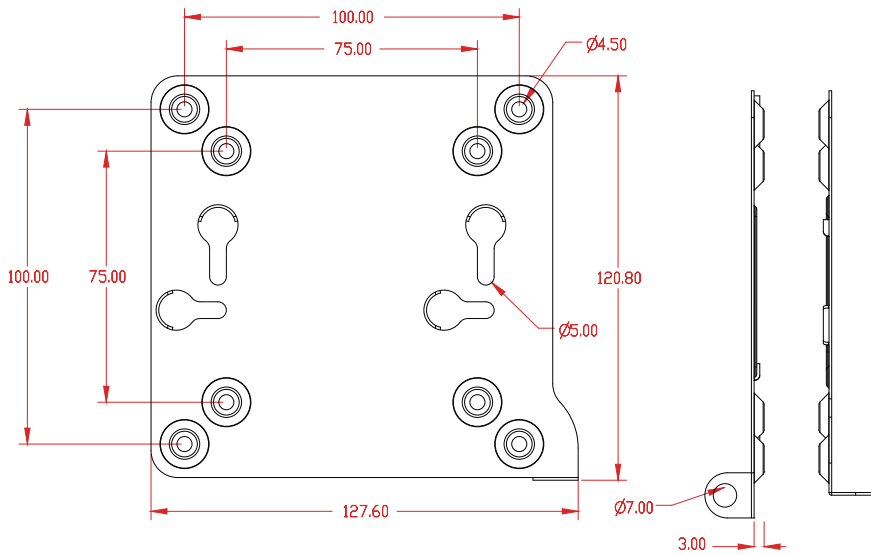
M3*L4.5MM Mechanical Screws



M3*L4MM Step Screws

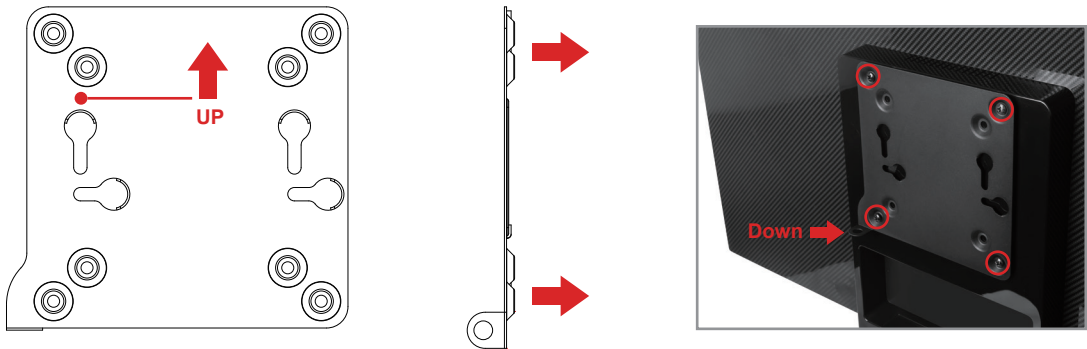
Parts	Quantity
Main Bracket	1
Anti-theft Lock	1
M4*L10MM Mechanical Screws	5
M3*L4.5MM Mechanical Screws	3
M3*L4MM Step Screws	3

DIMENSIONS



INSTALLATION

1. Assemble the Main Bracket (in the direction shown as the following figure) to the rear of a compatible display with four M4*L10MM Screws.



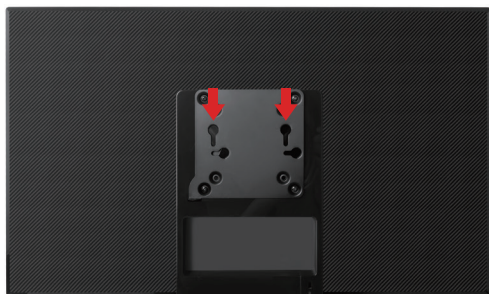
2. Fix two M3*L4.5MM Step Screws on the media players as shown below.



3. Fix the Theft-proof Lock to the media player with two M3*L4MM Mechanical Screws.



4. Mount the media player.



5. Lock the media player with your own lock, if needed. The installation is completed.

